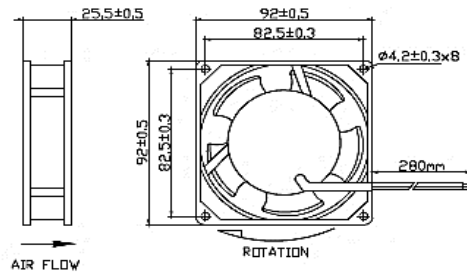


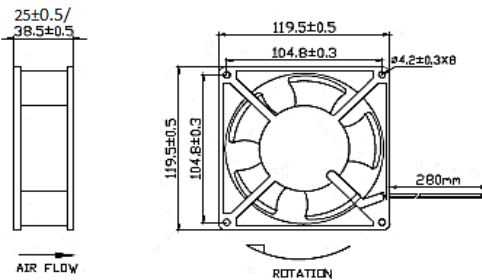
AC FAN (BALL BEARING)

92 X 92 X 25 MM

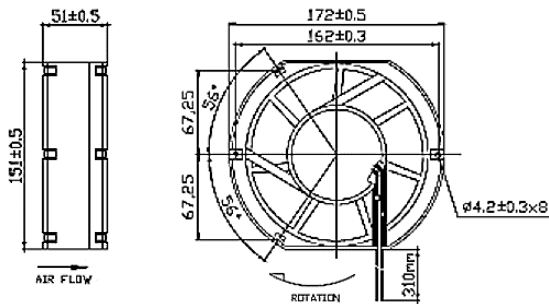


120 X 120 X 25MM

120 X 120 X 38MM



Ø172 X 150 X 51MM



- Material : Die Cast Aluminium Housing
- : Glass Fiber Reinforced Plastic Impeller, UL 94-0 rating
- Protection : Impedance Protected
- Operating Temperature : Ball Bearing -30 °C to + 75 °C

Item	Part No.	Voltage Vac	Description	Rating (A) Current	Power (w) Consumption	Speed RPM	Air Flow	
							m ³ /min	CFM
1	9225B2HL	220 /240	3' x 25mm	0.07 / 0.06	14 / 13.5	2550 / 2900	0.85 / 1.05	30 / 37
2	12025B2HL	220 / 240	4" X 25mm	0.09 / 0.09	19 / 18	2200 / 2400	1.87 / 2.21	66 / 78
3	12038B2XL	220 / 240	4" X 38mm	0.14 / 0.12	22 / 21	2700 / 3100	2.68 / 3.25	95 / 115
4	15050B2HL	220 / 240	6" X 51mm	0.22 / 0.21	34 / 33	2700 / 3100	5.37 / 6.65	190 / 235