



FD0153 LED spike light for landscaping

The unique design of FD01053 is aesthetically enhancing the vigorous landscaping after sunset. It has been widely recommended by lighting designers for replacement of halogen spike light. It is not only substantially reducing the power consumption, but also maintain almost zero cost of maintenance within the first five years.



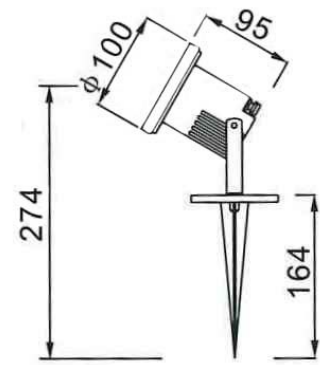
General Characteristic

Housing structure	The lamp housing together with its bracket and spike is completely made by molded-aluminum fitted with trim fastened by stainless bolts. Surface of luminaire is finished with electrostatic plastic paint thus resistance to corrosion.
Size of housing	Ø100 x 95mm / 274mm overall
Length of spike	164mm
Diffuser	3mm clear tempered glass
Rated life span	30000 hours (accumulative)
Ingress protection	IP65 compliant
Industrial standard	IEC 62384 / LM-80
Certification	CE, RoHS, FCC



Light Characteristic

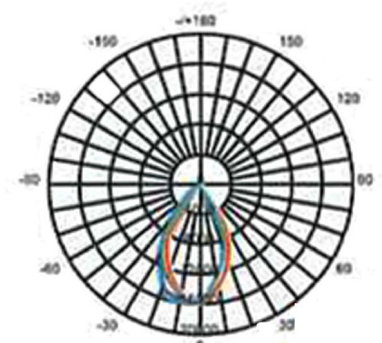
Light source	LUSTROUS X5 COB
Color rendering index	CRI ≥85 Ra
Color temperature	3200K (K3); 4200K (K4); 6500K (K5)
Luminous efficacy	85~90 lumen per watt
Color rendering index	CRI ≥ 80 Ra
Beam angle	45 degrees
RF interference	Free



Overall Size

Electrical Characteristic

Input power	100~240VAC, 50/60Hz
Constant current	0.35A/0.70A/1.26A (3 models)
Output voltage range	21~32Vdc
LED driver (IP65)	LD-020H-CU3556-15 (10/20W) LD035H-CU07048-20 (32W) LD060H-CU12548-40 (48W)
Power factor	≥0.9
Ripple & noise (max)	3Vp-p
Line regulation	±3%
Load regulation	±5%
Operation temperature	-20°C ~+40°C full load
Storage temperature	-20°C ~+80°C / 10% ~95% Rh
Operation humidity	20% ~95% Rh non-condensing
Vibration frequency	5 ~50 Hz
Safety standard	TUV/CE-EN61347/EN55015



Spectral Distribution

Product Specification

Model #	Power		Luminous Efficacy	Compatibility to Traditional Lamp
	Rated	System		
FD0153-510W10	10.0W	11.12W	960~1260lm	CDM-TC 20W
FD0153-520W20	19.0W	21.12W	1720~2360lm	CDM-TC 35W

