

Installation Guide / Manual (AVA-350A)

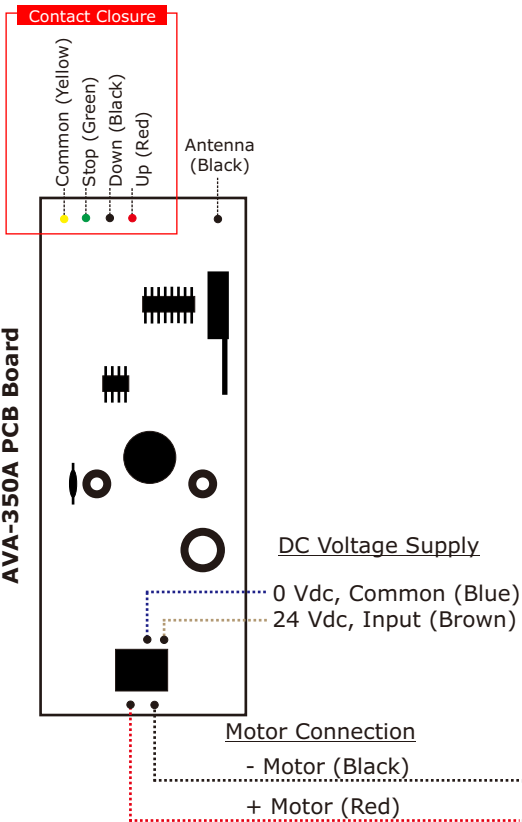


All controls support 230V/50Hz

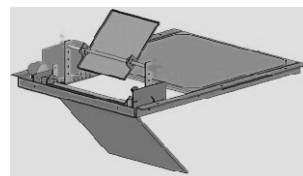
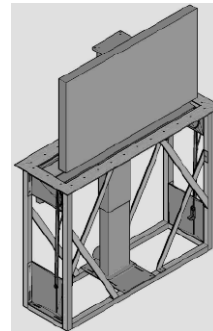
AVA-350A Radio Frequency Receiver



Description	AVA-350A-RF Receiver
Input Voltage	230 VAC
Frequency	433 MHz
Power	100 Watts
Work Temperature	-10°C - 50°C
Sensitivity Distance	20m



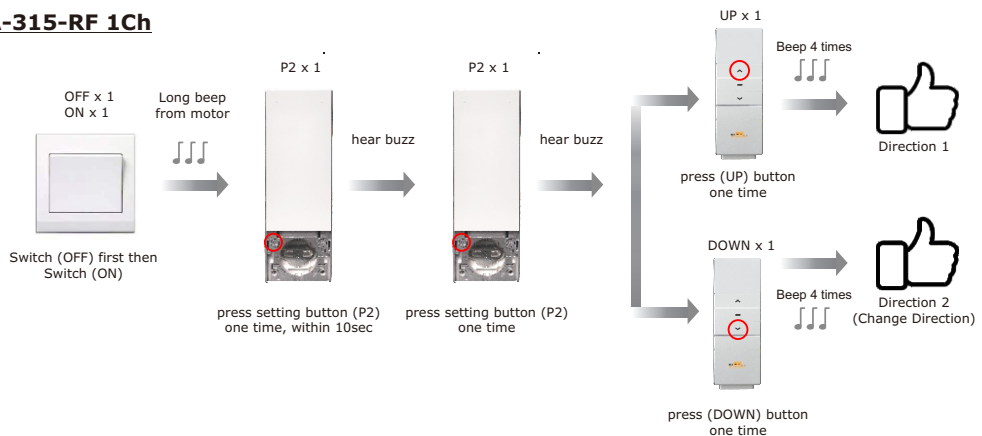
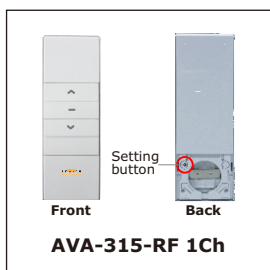
A/V Equipments



OPTION

AVA-350A compatible with AVA-315 1-Channel Radio Frequency Remote

Pairing AVA-350A with AVA-315-RF 1Ch



End