

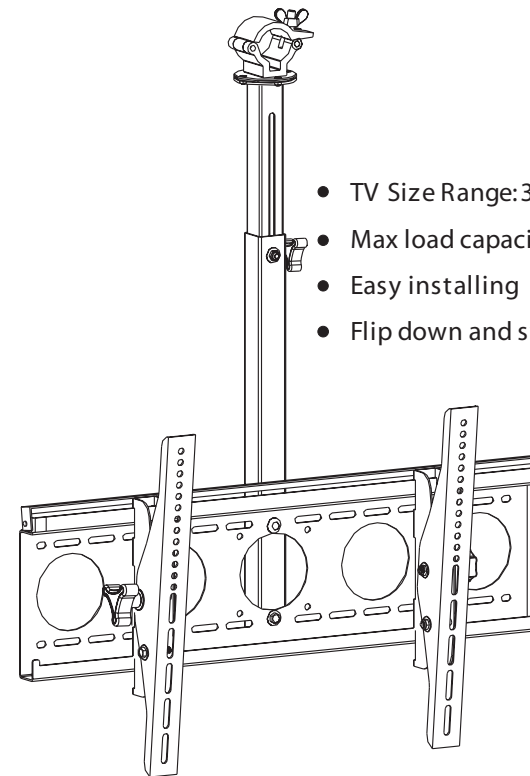
Installation Guide (For BKT-576)

Important Notes:

All Plasma / LCD TV brackets are thoroughly inspected and fully tested operational in factory. We accept no liability whatsoever for any losses due to improper operation, or any unauthorized alternation. All trademarks contained in this installation guide are the property of their respective owners.

Ceiling mount

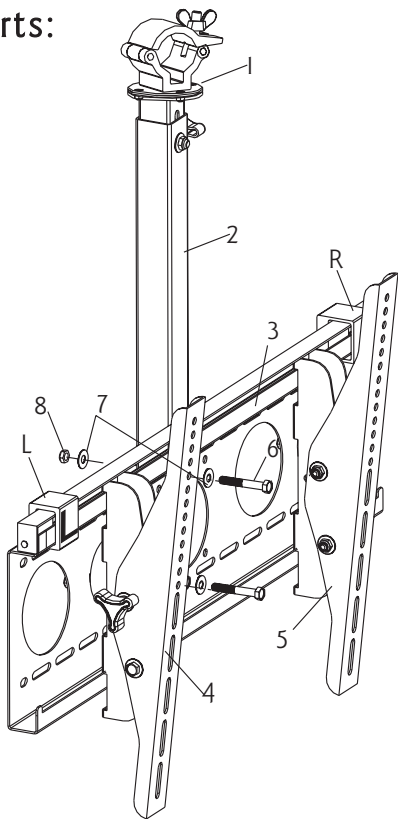
MODEL.:BKT-576



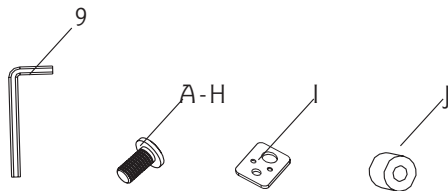
- TV Size Range:36" ~55"
- Max load capacity: 75Kg/165lbs
- Easy installing
- Flip down and swivel for optimum viewing

Thank you for choosing our products

Parts:



ID	Qty	Description
1	1	Ceiling plate
2	1	Extension column
3	1	Big plate
4	1	Left bracket
5	1	Right bracket
6	2	M8×55mm bolt
7	4	M8 washer
8	2	M8 nut
9	1	Socket wrench
L	1	Left safety lock
R	1	Right safety lock
A	4	M4×12mm bolt
B	4	M4×16mm bolt
C	4	M5×16mm bolt
D	4	M6×16mm bolt
E	4	M8×16mm bolt
F	4	M5×36mm bolt
G	4	M6×36mm bolt
H	4	M8×36mm bolt
I	4	Square washer
J	4	Spacer



Step 4: Hanging display

Firstly lift the bracket mounted display over the wall mount. And then hook the brackets over the top of the wall mount. Rotate the display let the bottom of the brackets hook over the bottom of wall mount, as shown in Fig.4a. Then fasten the locking plate to the upside of bracket in order to lock the bracket, as shown in Fig.4b. Install safety lock, hitch the two lock sets both on left and right side to the locking plate and make sure the device is completely fixed, as shown in Fig.4c. (The bigger opening of the lock set should be set inward, there's certain mark on it.)

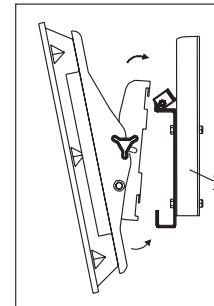


Fig 4a

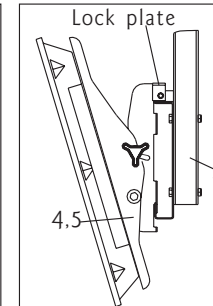


Fig 4b

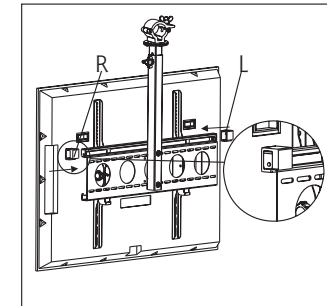


Fig 4c

Display Adjustments

Vertical Tilt

Loosen tilt tension Knob as shown in Fig. 5. Adjust display for desired tilt angle, and then re-tighten tension Knob. Adjustable angle: $-5 \sim 15^\circ$.

Swivel

Grasp edges of display and swivel into desired position, Swivel angle: $0 \sim 360^\circ$.

Vertical height adjustment

Lift display, loosen height tension knob as shown in Fig.5a. Adjust display for desired vertical height, and then re-tighten tension Knob. $0 \sim 330$ mm vertical height adjustment.

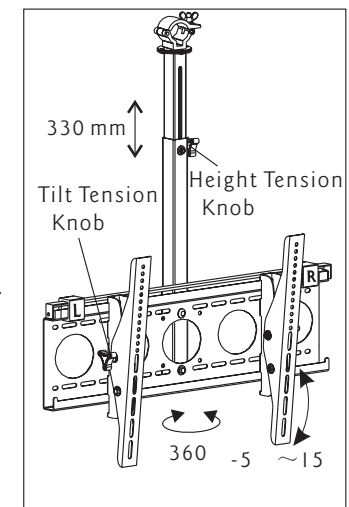
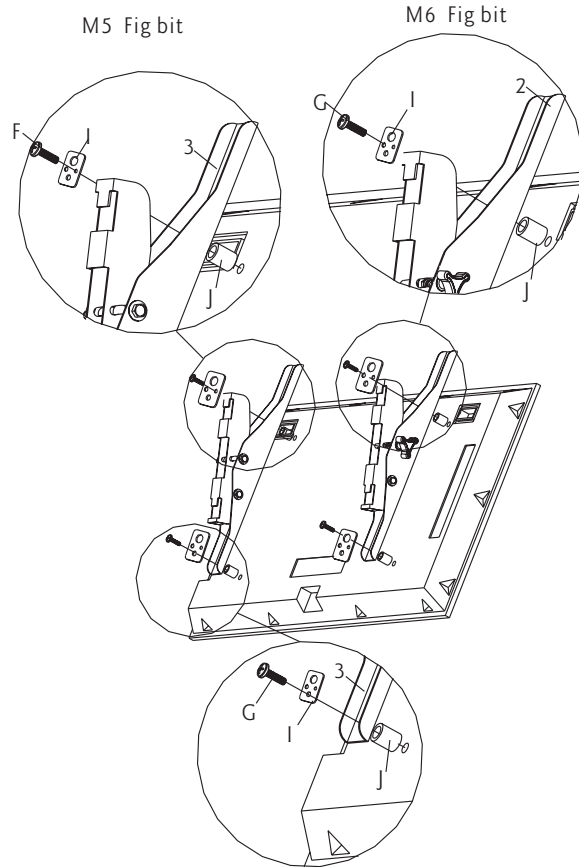


Fig 5

2. Some displays have curved backs with recessed mounting lands(Fig.a). It will require the use of spacer. For this display, install a spacer(J)between display and the bracket. As shown in Fig 3b.



Fig a



M8 Fig bit

Fig 3b



We are not responsible for any personal injury or product damage due to mishandling, incorrect mounting, incorrect assembly or incorrect use of this product.

Note: The supplied wall mounting hardware is not for use on steel stud walls or cold cinder block walls. If you are uncertain about the nature of your wall, please consult a qualified contractor. If the hardware you required is not included please contact your local hardware store.

Caution: This Product LCD /Plasma Wall Mount Bracket is intended for use only with the maximum weights indicated .See apparatus instructions .Use with products heavier than the maximum weights indicated may result in instability causing possible injury .

Step 1: Attach Big plate to Extension column

Unpack the components from the box .First, to stretch the Extension Column(2) out to desired or fullest length. Then, fix the Big Plate(3) to the Extension Column(2) with 2 long bolts(6), washers(7) and nut(8),as shown in Fig. 1 .

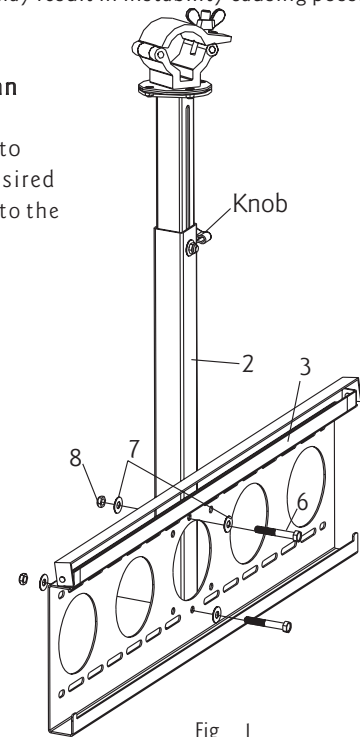
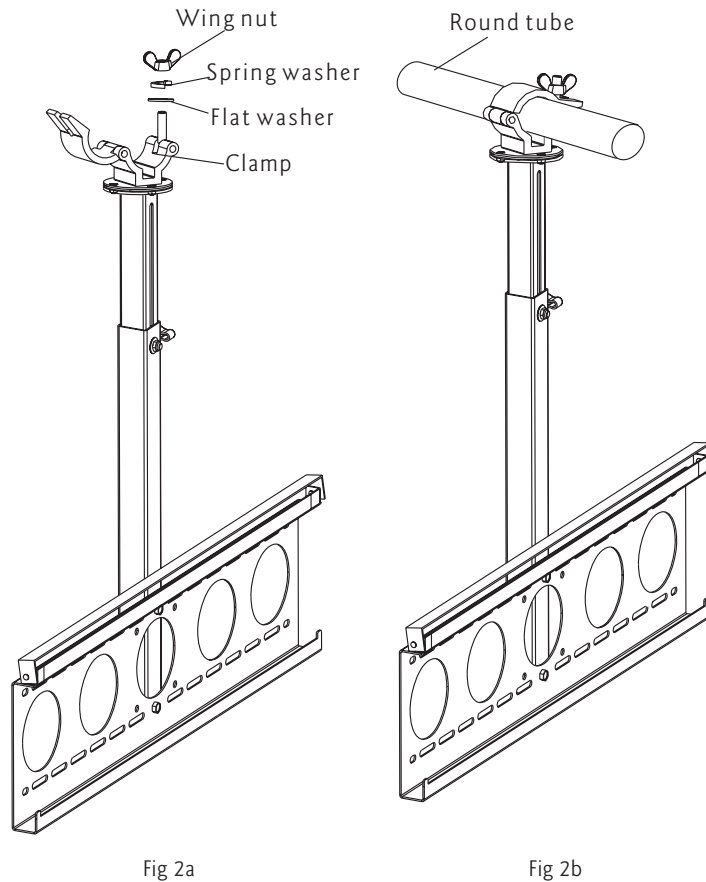


Fig 1

Step 2: Attach mount to ceiling

First, determine your desired mounting location.
Follow the installation instructions below to install Truss ceiling mount to a Round tube up to 50mm in diameter of ceiling.

Loosen wing nut open clamp as Fig.2a. Retain Wing nut, Spring washer and Flat washer for later use. Lift and move mount to Round tube. Close the clamp. Tighten wing nut as Fig.2b.



Step 3: Attach bracket to TV

Check your TV manual to confirm the diameter of bolt to be used or choose an appropriate bolt according to size, height and position of the holes on your TV. See pages 5-6 of these instructions for examples.

For correct installing, make sure that hook of every bracket must facing down. Use selected bolts, spacers and washers for installing bracket at the back of display. Adjust two brackets to equal heights and level. Once aligned, tightly secure the bolts.

IMPORTANT: Don't force the bolt into the hole, which will cause a damage of equipments and injure of person. Don't use electric drill to fasten any bolts.

Following examples shows how to use bolts, spacers and square washers.

1. Some displays have vertical backs. No spacer is required. Install the bracket directly to the back of display by using bolts and square washers provided. As shown in Fig.3a.

