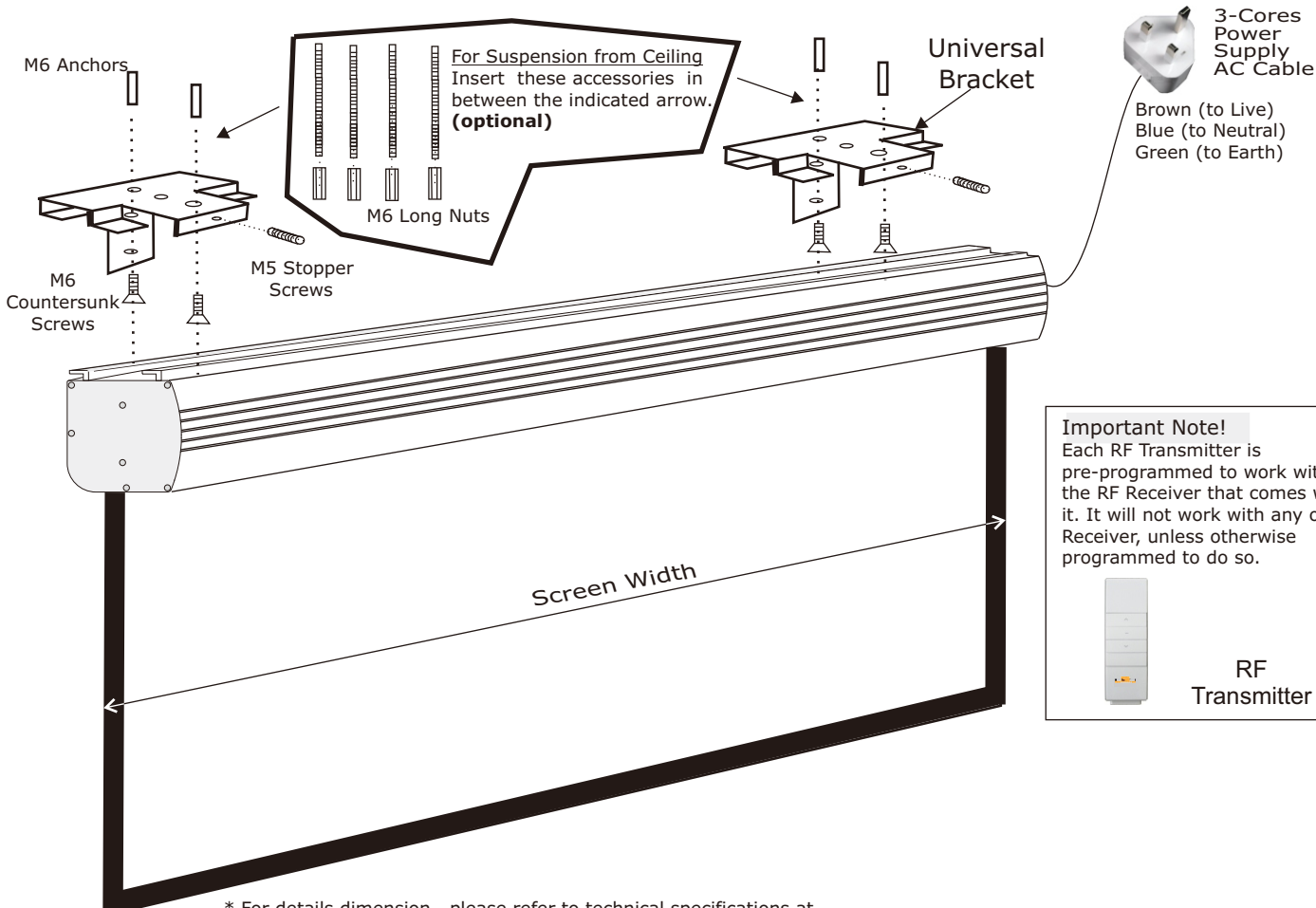
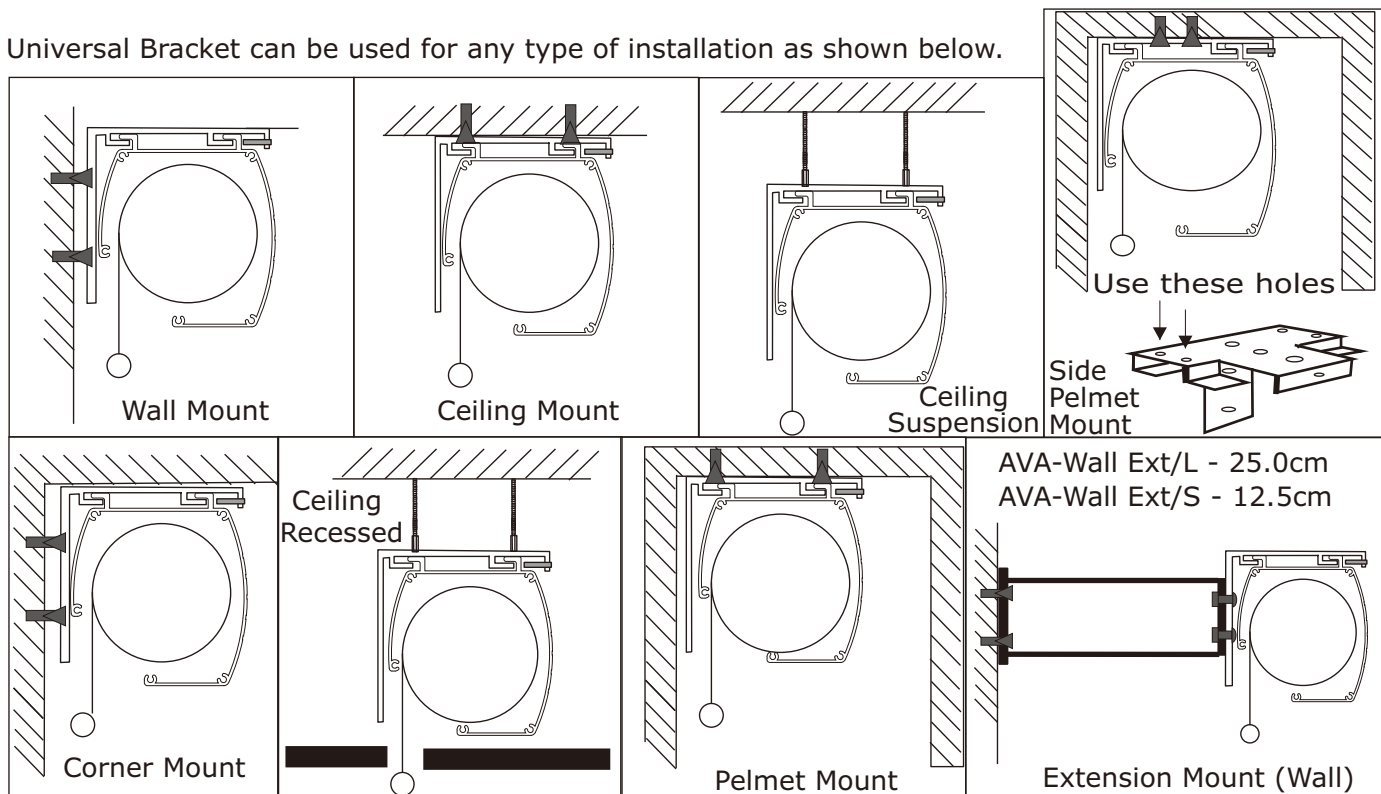


Installation Guide / Manual (PRO-1515 to PRO-2727)

Warning

Caution with main supply and live wires. Install with qualified technician or trained personnel.

Universal Bracket can be used for any type of installation as shown below.

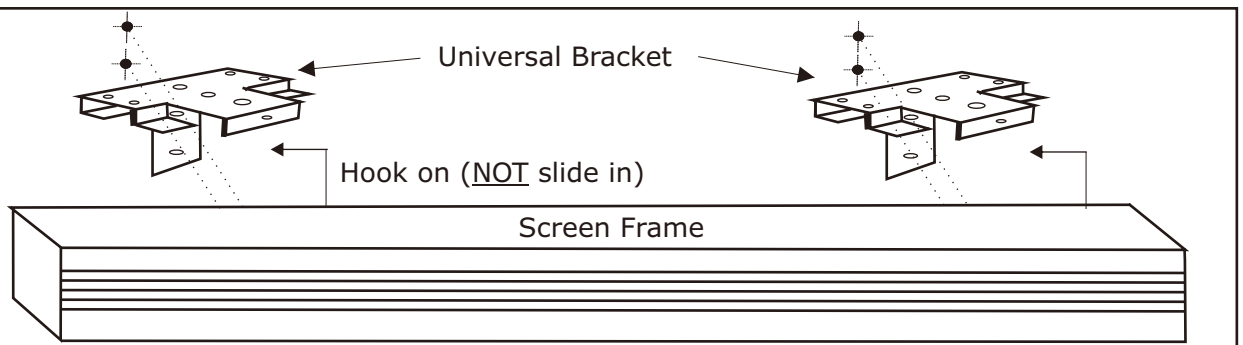


Important Note!
Each RF Transmitter is pre-programmed to work with the RF Receiver that comes with it. It will not work with any other Receiver, unless otherwise programmed to do so.

RF Transmitter

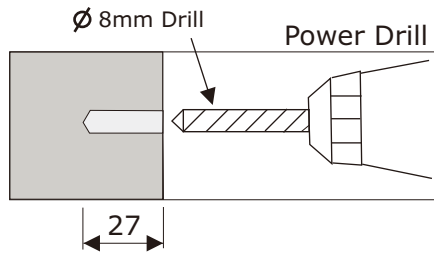
* For details dimension , please refer to technical specifications at www.remacotech.com

STEP 1

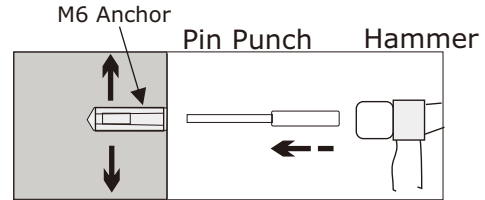


A) Mark the bracket position with the help of universal bracket.

STEP 2



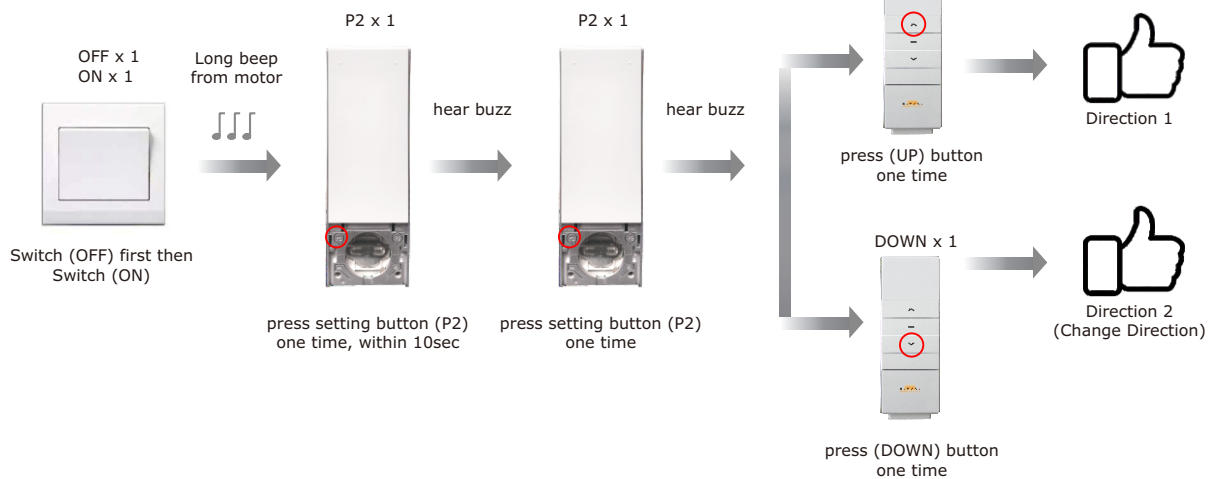
B) Drill Diameter 8mm Holes to a depth 27mm.



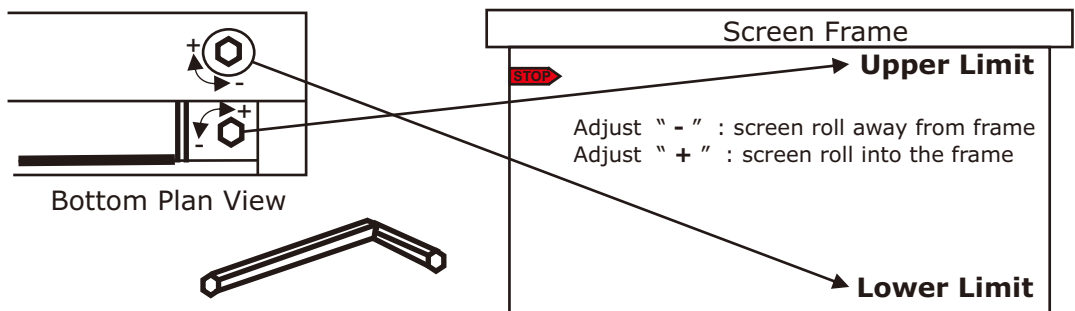
C) Insert M6 Anchor into the hole.
D) Use pin punch to expand the anchor.

STEP 3

Wiring installation



STEP 4



E) To set screen to your desired "up" and "down" positions. Adjust " - " : less screen drop
Adjust " + " : more screen drop

Important Note

The upper limit and lower limit of the screen had been preset in factory. Any adjustment to these 2 limit switches may cause damages to the screen fabric. If adjusted, it will cause the following problems:

- a) The screen will roll into the frame and stop by force and not by the Upper Limit switch. This will cause overheating of motor which unable the screen to operate properly.
- b) The depression of the bottom bar onto the fabric will cause horizontal mark on screen surface.
- c) Adjusting the Lower Limit of the screen any lower than beyond the STOP sticker may cause the fabric to drop off

Disclaimer

Any adjustment to these 2 limit switches will void the warranty for the screen and Remaco will hold no responsibility for any damages to it. Please consult us if it is necessary to do any adjustment to the limit switch.

End