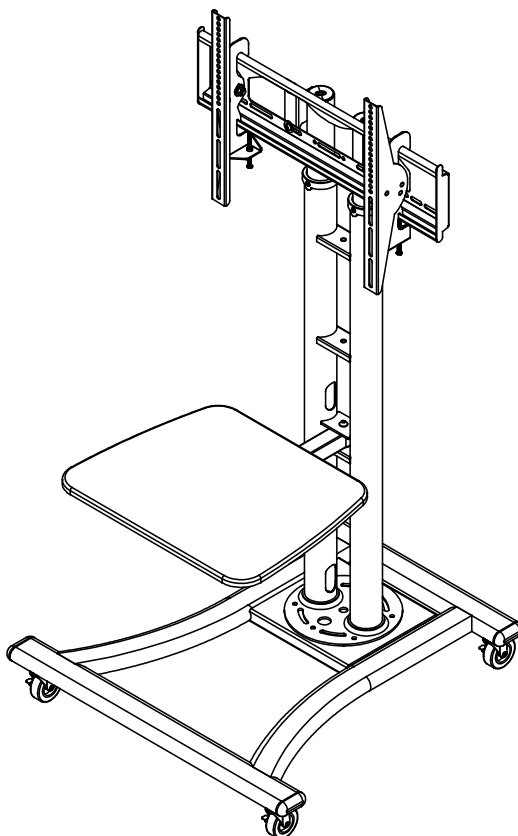


Installation Guide (For TAS-900B)

Important Notes:

All TV / Monitor stands are thoroughly inspected and fully tested operational in factory.
 We accept no liability whatsoever for any losses due to improper operation, or any unauthorized alteration.
 All trademarks contained in this installation guide are the property of their respective owners.



Max Load: 50 Kgs

