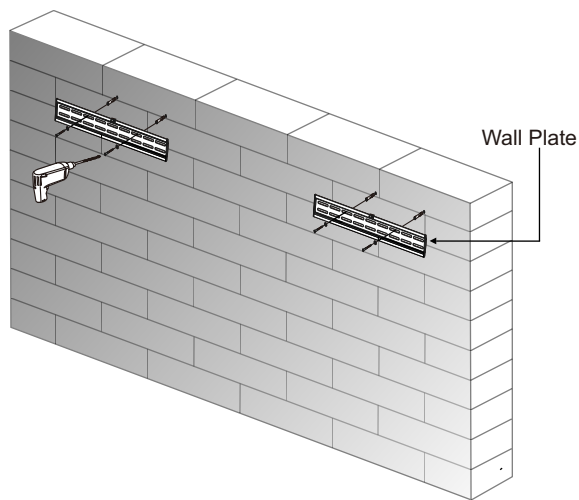


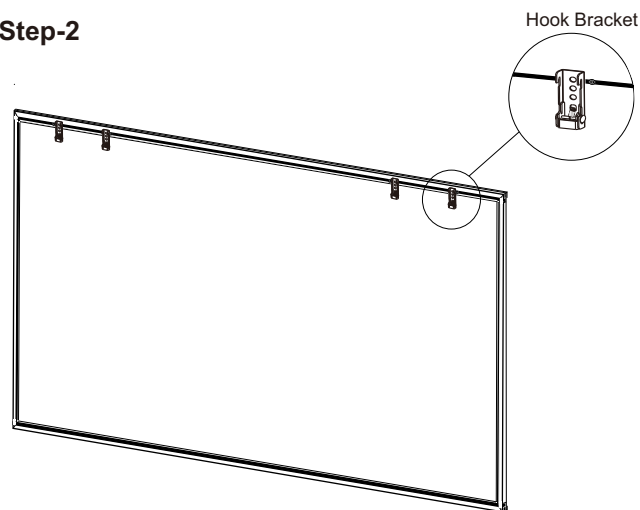
Installation Guide (WPS Series)

Step-1



Mount the wall plate to the solid concrete.

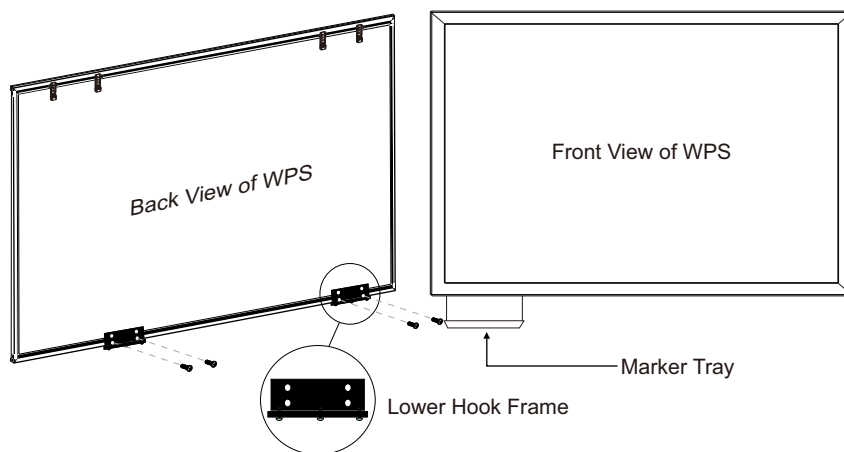
Step-2



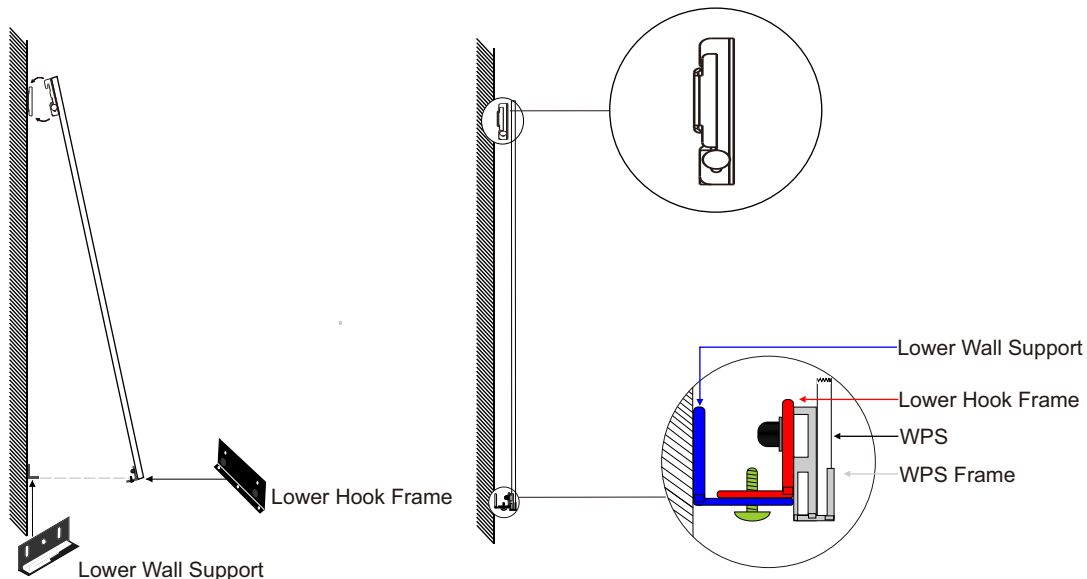
Attach hook bracket to WPS screen

Step-3

- a) Turn over WPS back frame
- b) Secure lower frame hook at bottom of WPS frame.
- c) Secure marker tray at bottom of WPS as shown.



Step-4



Side View of WPS

Lower Wall Support

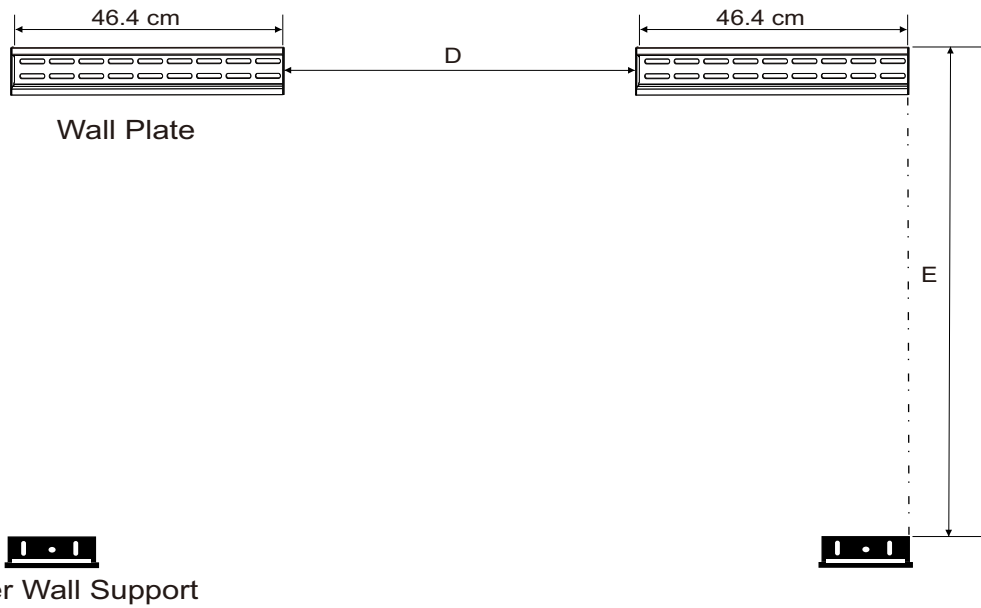
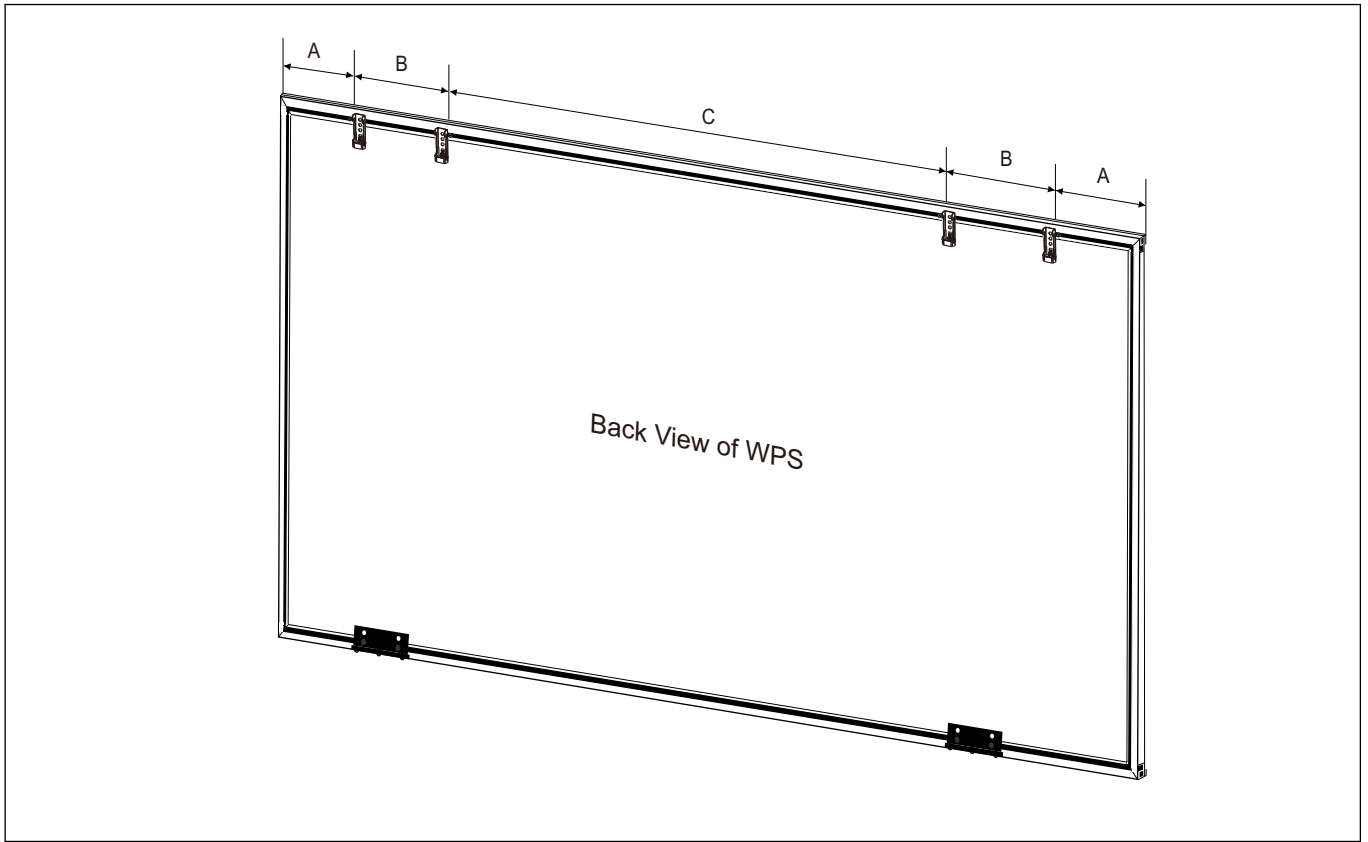
Lower Hook Frame

Lower Wall Support

Lower Hook Frame

WPS

WPS Frame



WPS	Overall Size (cm)	A (cm)	B (cm)	C (cm)	D (cm)	E (cm)
WPS 1710W	176 x 111	20	26	84	64	104.5
WPS 2012W	197 x 125	20	26	105	85	118.5
WPS 2113W	219 x 138	20	26	127	107	131.5
WPS 2314W	238 x 150	20	26	146	126	143.5
WPS 2815C	280 x 150	25	26	188	168	143.5