

ACCESS CONTROL

Password & RFID ▶▶

WEBPASS IP Reader

- Web Based
- IP 65 Weather Proof
- EM / Mifare/HID
- Real Time Monitoring
- Alarm Alert via E-mail



Re-Seller: SIN CHEW ALARM PTE LTD



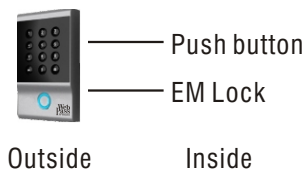
10 Upper Aljunied Link #06-02/03
Singapore 367904
Tel: (65) 62872788 Fax: (65) 62870856
Email: enquiry@sinchewalarm.com
<http://www.sinchewalarm.com>

Specifications

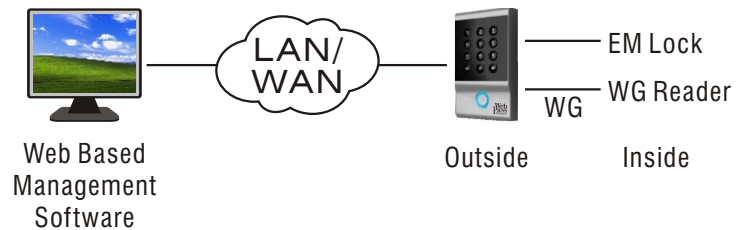
- Verification option: Card, Card + Pin, Pin
- Card format: 125 KHz (EM/TM), 13.56 MHz (Mifare), HID
- Reading range: 7 ~ 12cm (EM/TM), 3 ~ 5cm (Mifare/HID)
- Capacity: Card Capacity is 20,000 Users
- Log data : 60,000 entries
- Communication interface: Ethernet
- Communication speed: 10/100M
- On-Line system upgrade : Web query, Setting, Deleting
- Particular Common Pin code provides for Anti-Duress protection.
- Special Anti Pass Back design
- Protectively ESD/Electrical Surge design protects hardware, system safely
- 30 seconds keypad halting for 3-times illegally pin code entered
- Up to 50 Holiday, 32 Group List, 64 Time Zone, 64 Time schedules provided.
- WEB management software and SDK provided.
- Wiegand input: 1, WG24/36 Reader
- Exit Button dry Contact: 1
- Relay Time for Door Open: 1 ~ 60000 sec.
- Fire Alarm Input Dry Connector: 1
- Relay Time for Alarm: 0 ~ 600 sec.
- Sensor Detecting: 1
- Tamper Switch: 1
- Keypad: 10 numeric keys + 2 function keys
- Indicators: Ring type LED & Buzzer
- Operation Temperature : 0 °C ~ 65 °C
- Operation Humidity : 5 ~ 95%RH
- Power: DC 9 ~ 24V, 1A
- Weight: 150g.
- Dimension: 120 × 80 × 25(mm)

Application

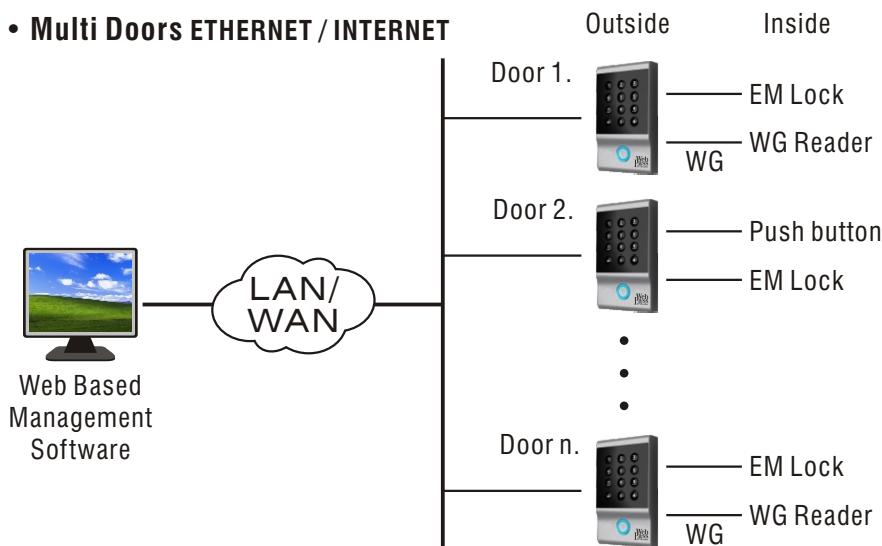
• STANDALONE



• ETHERNET / INTERNET



• Multi Doors ETHERNET / INTERNET



How to Order

Model	Type
WEBPASS	Card Frequency E: EM M: Mifare H: HID
How to choose a model ? For example: WEBPASS-E, WEBPASS-M, and so on.	



Welcome to **CHIYU**

Chiayi: 886-5-2325465 • Taipei: 886-2-25491289 • Shenzhen, China: 86-755-82514171