

## ▷ MAGNETIC DOOR DETECTORS

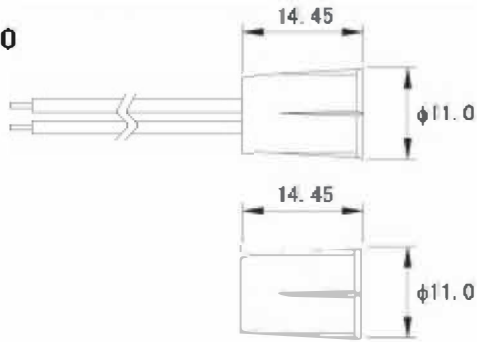


## ▷ Specifications

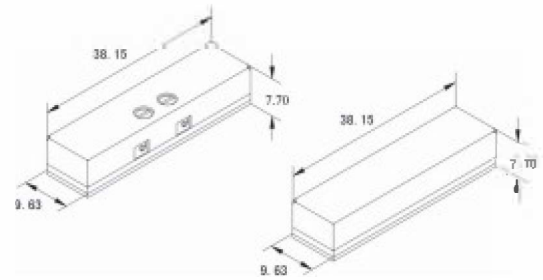
Model	SD-10	SD-1012T	SD-106	SD-1175T	SD-175T	SD-3/4
Switch Type	Form A (SPST)	Form A (SPST)	Form A (SPST)	Form A (SPST)	Form A (SPST)	Form A (SPST)
Switch Rating	28V@0.5A	28V@1.0A	28V@1.0A	28V@0.5A	28V@1.0A	28V@1.0A
Resistance	0.3 Ω Max	0.3 Ω Max	0.3 Ω Max	0.3 Ω Max	0.3 Ω Max	0.3 Ω Max
Wiring	Lead Wire	Screw Terminal	Lead Wire	Screw Terminal	Screw Terminal	Screw Terminal
Mounting	Press Fit	3M Adhesive Tape	3M Adhesive Tape	Recessed	Recessed	Recessed
Gap	3/4 "	1 "	1 "	3/4 "	3/4 "	1 "
Listing	UL, CE, CCC					

▷ *Dimensions (Unit:mm)*

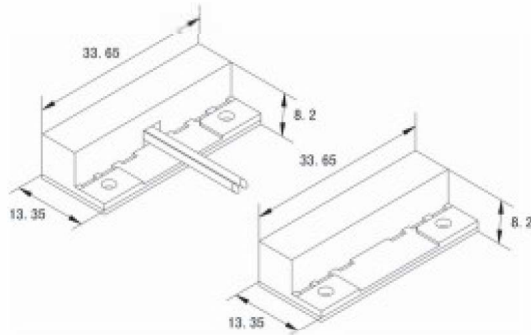
**SD-10**



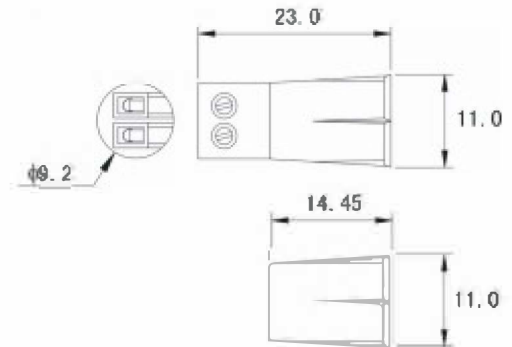
**SD-1012T**



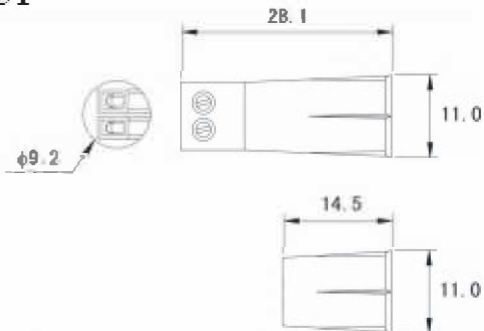
**SD-106**



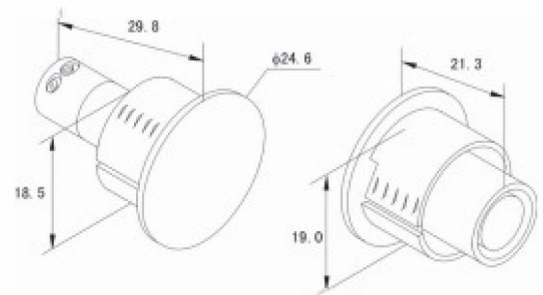
**SD-1175T**



**SD-175T**



**SD-3/4**



**Re-Seller:** SIN CHEW ALARM PTE LTD



10 Upper Aljunied Link #06-02/03/04  
Singapore 367904  
Tel: (65) 62872788 Fax: (65) 62870856  
Email: enquiry@sinchewalarm.com  
http://www.sinchewalarm.com