

Full HD  
1080



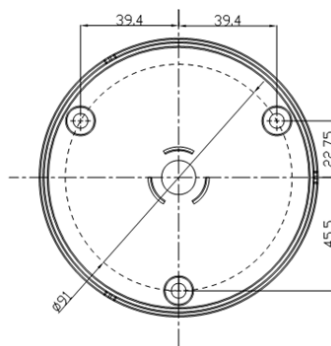
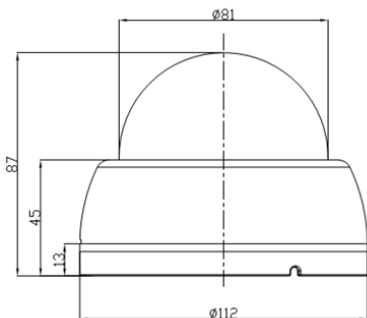
## FEATURES

- ◆ 1/3 Inch progressive Sony CMOS, 2.1M
- ◆ HD-SDI : 1080@30p/25p, 720@60p/50p
- ◆ True Day & Night with ICR Mechanism
- ◆ f: 2.8-11mm Mega-pixel Lens
- ◆ NTSC, PAL CVBS
- ◆ 24unit LED (Smart IR)
- ◆ On Screen Display key
- ◆ Wide Dynamic Range compensation
- ◆ Adaptive Contrast Enhancer
- ◆ Digital Noise Reducer(2D/3D)
- ◆ Motion detection / Privacy mask
- ◆ High Light Masking
- ◆ Digital Slow Shutter
- ◆ Sens-up (X 32)
- ◆ Defog (OFF/ON)
- ◆ Digital Zoom (1X~64X)

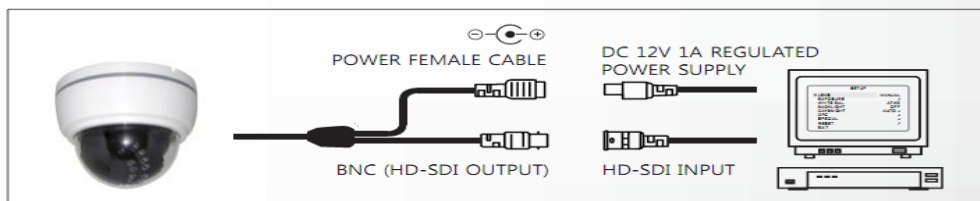
## RDFH-V1080SE



## DIMENSIONS



## ● Cable Connection



# 2.1 Megapixel HD-SDI Camera

## RDFH-V1080SE



## SPECIFICATIONS

Image Device	1/3 Inch progressive Sony CMOS, 2.1M
Total Pixels	2010(H) x 1108(V),2.227 Megapixel
Effective Pixels	1944(H) x 1092(V),2.122 Megapixel
Scanning System	Progressive
Resolution	1080p@30/25fps, 720p@60/50fps Max. 1,100TVL
S/N Ratio	More than 50dB (AGC OFF)
Min. Illumination	0.1 Lux without (F1.2,50 IRE,AGC MAX)
Video Output	HD-SDI(SMPTE274M)
	1.0 Vp-p NTSC/PAL Composite Signal
Sync. System	Internal
Shutter Speed	MANUAL/AUTO/FLK
Electronic Shutter	NTSC : 1/30~1/60,000sec, PAL : 1/25~1/60,000sec
Lens	ELC/ALC
Lens Type	f: 2.8-11mm Megapixel lens
Focus Adjust	Off / On
LED	24units
OSD	Option
AGC	0 - 20 steps
Sens-up	Off/X2~X32
Brightness	0 - 20 steps
WDR/BLC	Off/HLC/BLC/WDR
ACE	Off/Low/Middle/High
Day&Night	Auto/Color/B&W/EXTERN
White Balance	Auto/Autoext/Preset/Manual
3D-DNR	Off/Low/Middle/High
Mirror	Off/On
Flip	Off/On
Sharpness	0 – 20 steps
Shading	Off/On
Digital Zoom	X1 – X8
Motion Detection	Off/On
DEFOG	Off/On
Privacy Mask	OFF, ON (15 AREAS)
Language	English/Chinese/Korean/Japanese/Russian/French/German
Operating Temp. / Storage Temp.	-10°C~+50°C(14°F~122°F) / -20°C~+70°C(-4°F~160°F)
Humidity	Less than 90% RH
Power Consumption	DC12V : DC12V(±10%), Max. 100mA
	DC12V : DC12V(±10%), Max. 330mA
Dimension(mm)	126.2(W) x 102(H)mm
Weight	Approx. 350g

**Re-Seller:** SIN CHEW ALARM PTE LTD



10 Upper Aljunied Link #06-02/03/04  
Singapore 367904  
Tel: (65) 62872788 Fax: (65) 62870856  
Email: enquiry@sinchewalarm.com  
http://www.sinchewalarm.com